

## ZN1209-N VERTICAL OFFSET SIPHON JET – NO-HUB NARROW WALL SYSTEM



### ENGINEERING SPECIFICATION

Zurn ZN1209-N( ) 4 narrow wall vertical offset siphon jet water closet provides a rigid system with 4" size no-hub connection and 2" vent. Comes complete with Dura-Coated cast iron main fitting, separable faceplate rigidly mounted on fitting, universal floor mounted supports, corrosion resistant adjustable ABS coupling with integral test cap, fixture bolts, trim, and stud protectors. Includes rear anchor tie down and bonded Neo-Seal gasket.

### NOTES

1. Feet anchored to floor using minimum 1/2" diameter anchors through rear slots on carrier feet.
2. Rear anchor foot required for secure installation.

Product Number	Approximate Weight lb [kg]
ZN1209-NL4	67 [30]
ZN1209-NR4	
ZN1209-ND4	109 [49]

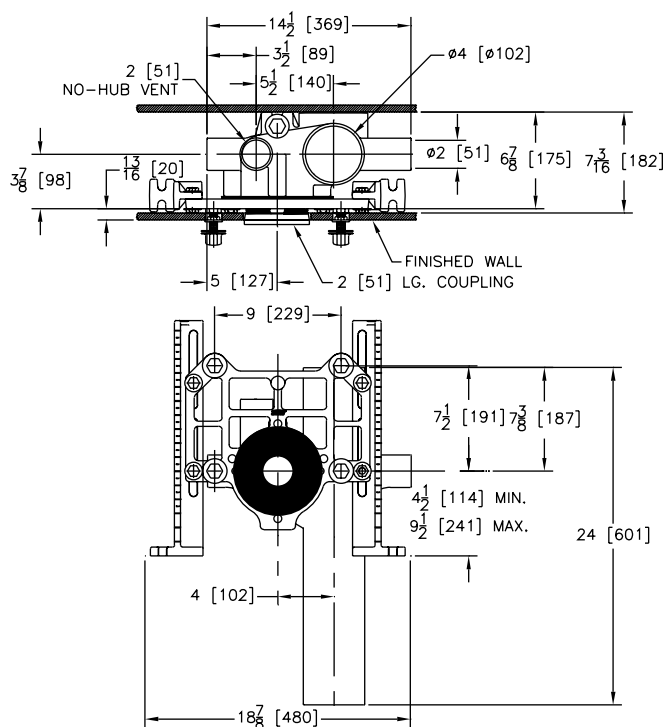
PREFIXES	DESCRIPTION	SINGLE	DOUBLE
<b>ZN1209*</b>	D.C.C.I. System with 4" Adjustable Coupling	<b>Combine with Fitting Type for Pricing</b>	

FITTING TYPE			
<b>-NL4</b>	4" No-Hub Stack, Left-Hand Offset Inlet, 2" Left-Hand Vent	<b>1,415.00</b>	<b>-</b>
<b>-NR4</b>	4" No-Hub Stack, Right-Hand Offset Inlet, 2" Right-Hand Vent	<b>1,415.00</b>	<b>-</b>
<b>-ND4</b>	4" No-Hub Stack, Double Inlet, 2" Vent	<b>-</b>	<b>2,429.00</b>

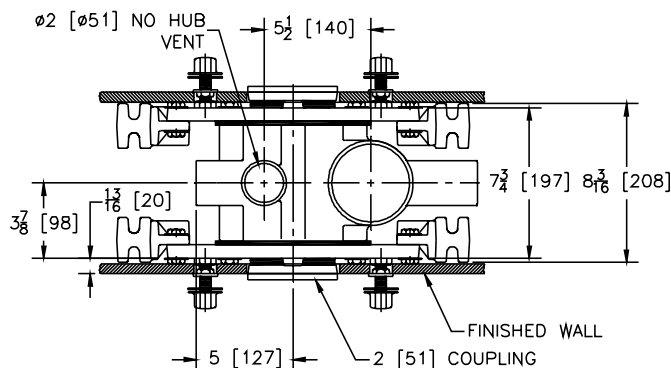
SUFFIXES		ADD	ADD
<b>-B</b>	Blowout Type Fixture Support	<b>N/C</b>	<b>N/C</b>
<b>-CC</b>	Corrosion Resistant Cast Iron Coupling (6" to 12")	<b>N/C</b>	<b>N/C</b>
<b>-JJ</b>	Two 2" Auxiliary Inlets	<b>724.00</b>	<b>724.00</b>
<b>-JS</b>	2" Stack Side Auxiliary Inlet	<b>365.00</b>	<b>365.00</b>
<b>-JV</b>	2" Vent Side Auxiliary Inlet	<b>365.00</b>	<b>365.00</b>
<b>-VP</b>	Vandal-Proof Trim	<b>137.00</b>	<b>270.00</b>
<b>-X3</b>	3" Foot Extension Assembly	<b>90.00</b>	<b>176.00</b>
<b>-X4</b>	4" Foot Extension Assembly	<b>115.00</b>	<b>227.00</b>
Ⓢ <b>-45</b>	Finishing Frame for Siphon Jet System (For Blowout System specify -45-B)	<b>84.00</b>	<b>167.00</b>
Ⓢ <b>-50</b>	Flush Valve Supply Support for Water Closet (Previously Z1210-50)	<b>90.00</b>	<b>176.00</b>

BEST SELLERS	LIST PRICE
ZN1209-ND4	<b>2,429.00</b>
ZN1209-NL4	<b>1,415.00</b>
ZN1209-NL4-JS	<b>1,780.00</b>
ZN1209-NR4	<b>1,415.00</b>

ZN1209-NL4 (Single)



ZN1209-ND4 (Double)



\*Regularly furnished unless otherwise specified.

For additional product information, please visit [www.zurn.com](http://www.zurn.com)

Items designated as Best Sellers are most specified and are generally in stock for shipment.

Ⓢ This symbol denotes a product that is engineered to reduce installation and rework time.

For Additional System Tools See "Z1200 Carrier Tools and Accessories" on page 214